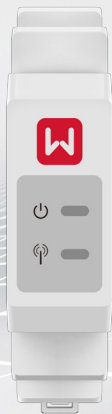


GOODWE



Quick Installation Guide

Smart Meter

(GMK110 | GMK110D)

V1.2-2025-09-25

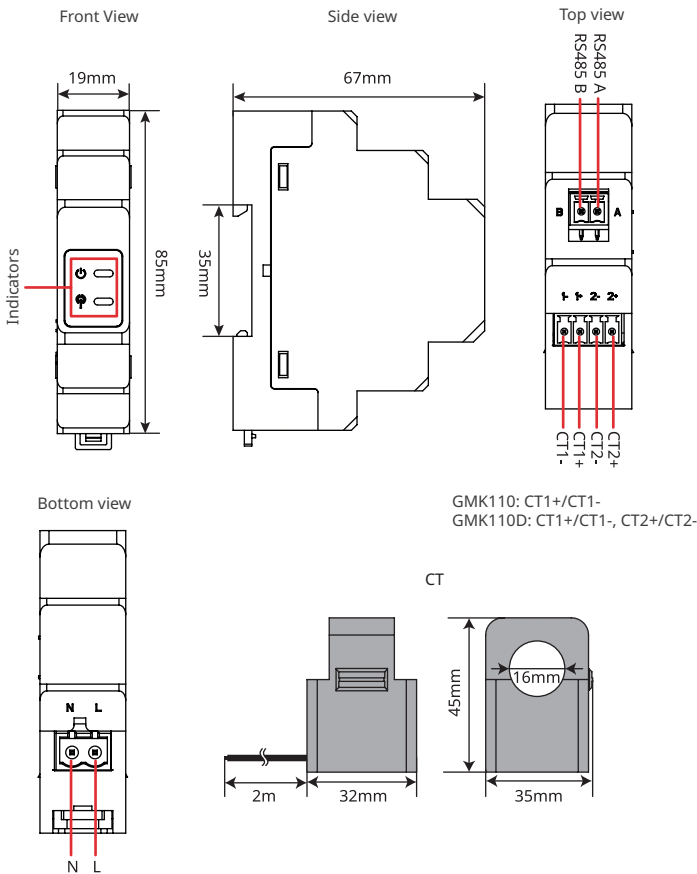
Model	GMK110	GMK110D
Measuring range		
Support Grid Type	Single-phase	Single-phase
Line to N Voltage Range (Vac)	85~288	85~288
Nominal AC Grid Frequency (Hz)	50/60	50/60
Current Transformer Ratio	120A:40mA	120A:40mA
Number of Current Transformers	1	2
Accuracy		
Voltage/Current	Class 1	Class 1
Active Energy	Class 1	Class 1
Reactive Energy	Class 2	Class 2
Communication		
Communication Method	RS485	RS485
Communication Distance (m/ft)	1000	1000
General		
Dimensions (W×H×D mm/in)	19×85×67	19×85×67
Housing	1 modules	1 modules
Weight (g/lb)	50	50
Mounting	DIN rail	DIN rail
User interface	2 LED	2 LED
Power Consumption(W)	≤5	≤5
Environment		
Ingress Protection Rating	IP20	IP20
Operating Temperature Range (°C/°F)	-30~+60	-30~+60
Storage Temperature Range (°C/°F)	-30~+70	-30~+70
Relative Humidity (non-condensing)	0%-95%	0%-95%
Max. Operating Altitude (m/ft)	3000	3000

NOTE

The smart meter is mainly used for power control at the grid-connection point. The measured energy yield and electricity consumption are for reference only and cannot be used as a basis for calculating electricity fees. Electricity fee measurement is subject to the meter provided by the grid company.

04 Product Introduction

Introduction



05 Installation

Packing List

Smart Meter x 1^[1]

RS485 Communication Terminal x 1



AC Terminal x 1



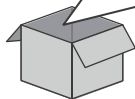
PIN Terminal x 4



Screwdriver x 1

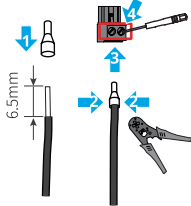
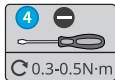


Documents x 1

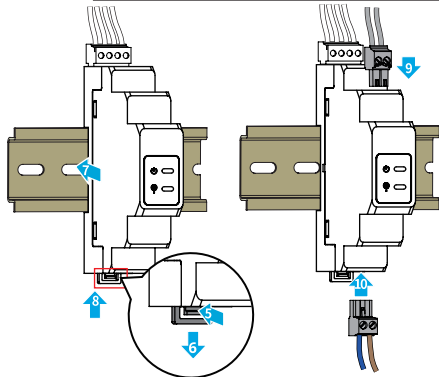


[1]. GMK110: CT x 1; GMK110D: CT x 2.

Installation and Cable Connection

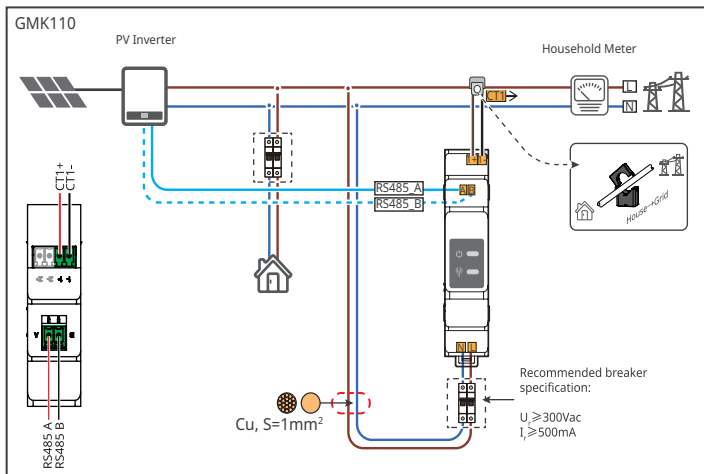


Type	Conductor cross-sectional area
RS485 communication cable	0.3mm ² -2mm ²
AC cable	1mm ² (17AWG)

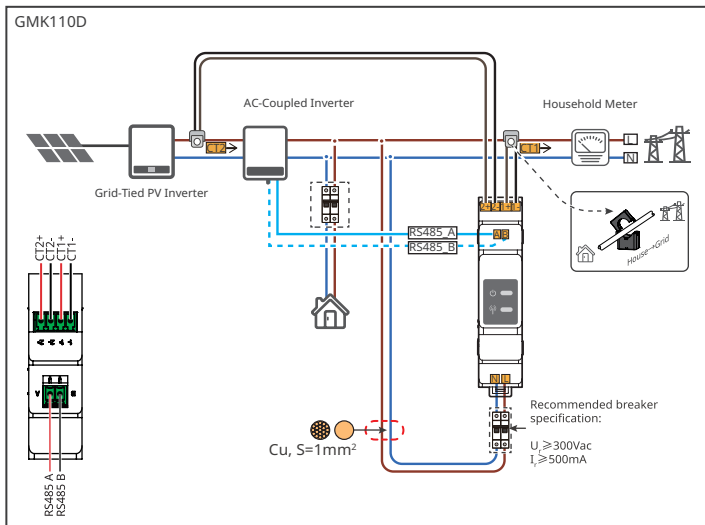


06 Wiring System

GMK110



- Recommended cable connected to the voltage input terminal: 1mm² (17AWG).
- CT direction: House (K)→Grid (L).

GMK110D


- Recommended cable connected to the voltage input terminal: 1mm² (17AWG).
- CT direction: House (K)-->Grid (L).

07 Commissioning



Power ON

Step 1 Connect the smart meter cables.

Step 2 Power on the inverter and ensure it is working properly.

Step 3(Optional) Turn off the circuit breaker on the voltage input side of the meter.

Indicator

Type	Status	Description
 Power light	Steady on	Power on.
	Off	Power off.
 Communication light	Blinking	Communication is OK.
	Off	Abnormal or Failed Communication.



Official Website

GoodWe Technologies Co., Ltd.

 No. 90 Zijin Rd., New District, Suzhou, 215011, China

 www.goodwe.com

 service@goodwe.com



Local Contacts